



C10BW
Integrated Coil Cleaning Machine
Operation Manual

C10BW

Integrated Coil Cleaning Machine
Integrated Solution
Mobile Cleaning



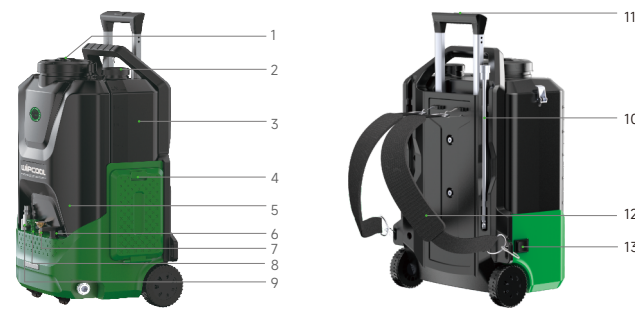
Note: The machine is without battery. Battery should be available separately.

1. Notices Before Usage

Thank you for buying WIPCOOL COMPACT Series cordless coil cleaning machines, we are dedicated to providing you with high quality products. Please check if your ordered product is in good shipment condition with the correct accessories, any damage during transportation, please contact us or the local distributors in time. This manual gives instructions on the correct operation, it's important that you follow this instructions carefully. If there is any change in the product (including the specification), we won't inform you any more.

2. Product Intended Usage

The C10BW Integrated coil cleaning machines is a complete and independent cleaning solution with efficient but safety for coils. It is ideal for cleaning in locations where water and power may be inaccessible. Powered by lithium battery with clean water tank and chemical tank. The integrated back strap function can completely liberate both hands. One person can carry the cleaning machine and climb the ladder to a specific jobsite (such as attic, roof, etc.). Enjoy the fun of cleaning anytime and anywhere.



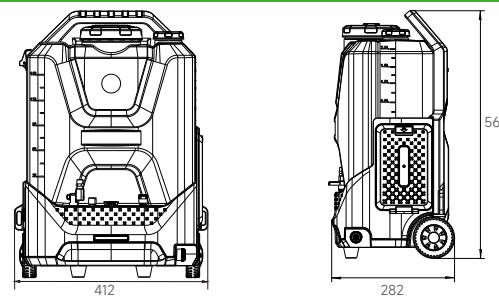
Technical Specifications:

1. clean water tank cover	8. foaming nozzle
2. chemical tank cover	9. 220° rotational nozzle
3. chemical tank	10. 37cm extension wand
4. battery cover	11. Extendable handle
5. clean water tank	12. back strap
6. chemical control valve	13. ON/OFF switch
7. 7.0" pin point nozzle	

Technical Data:

Model	C10BW	Water Tank	18L
Voltage	18V(AEG/RIDGID interface)	Chemical Tank	2L
Working Pressure	5/10bar(Dual)	Outlet hose	5m
Flowrate	4L/min	Weight(dry)	6.6kgs(w/o battery)

Dimensions:



3. Important Safety Instructions

⚠WARNING Read and understand all instructions before using the unit. Failure to follow all instructions listed below may result in electric shock, fire and/or serious personal injury.

- Always check the unit, hoses, fittings, etc. before each use.
- Do not fill with gasoline or any other flammable liquid. Do not operate in explosive atmospheres, such as in the presence of flammable liquids, gases or dust.
- Make sure there is adequate ventilation in the work area.
- Stay alert, watch what you are doing and use common sense when operating this unit.
- Keep bystanders, children, and visitors away while operating this unit.
- Turn unit off and relieve pressure in the hose when done.
- Do not use while tired or under the influence of drugs, alcohol, or medication.
- Do not use the unit while plugged into the battery charger.
- Be careful – a fully filled unit is heavy!! Do not make any sudden movements when using this unit with the back strap.
- Do not overreach or stand on unstable support. Keep proper footing and balance at all times.
- Wear rubber gloves, rubber boots, goggles or face-shield, etc. Detergents and chemicals may cause injuries to the eyes and skin. Protect yourself from direct skin.
- Do not use any acid or cleaners that contain sodium or potassium hydroxide!!
- Do not mix chemicals!! Mixing incompatible chemicals may cause damage to the unit or cause dangerous, life-threatening chemical reactions.
- Do not use the unit if it does not operate properly or has been damaged. Do not try to service the unit yourself - call your local distributor for assistance. Service must be performed only by qualified repair personnel. Service performed by unqualified personnel could result in a risk of injury and voids the warranty.
- Never point the spray gun at anyone. Do not direct stream at eyes or mouth.
- Always turn machine off after use or when tank is empty. Running a water pump "dry" drains the battery and may cause damage.
- Do not spray the unit with water or chemicals.
- Do not allow the unit to freeze or leave in freezing temperatures.
- Do not use water with a temperature of more than 60°C(140°F).
- Use only approved accessories and replacement parts.
- Follow maintenance procedures outlined in this manual.
- Never submerge appliance in water.
- Do not allow unit to freeze. Always empty tank and inside water and store unit indoors.
- Do not remove cover plate or attempt to disassemble appliance.
- Replace damaged hose immediately. Otherwise, hose may burst and potentially cause serious injury.

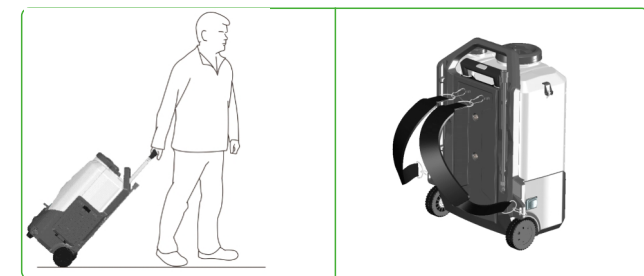
4. Operation Steps

Pre-Operation Checklist

- Check for adequate water and chemical cleaner supply (use only mild cleaners).
- Make sure the battery has sufficient charge for normal operation.
- Check spray nozzles and make sure orifice is not blocked or worn to excess.
- Check pressure hose for wear or kinks.
- Check pressure hose for wear or kinks.
- Check all connections, fittings, screws and fasteners.



5. Extension wand usage



The machine can move by handle and wheels

The machine also can be used by a back strap

6. Air Purging

With normal use, air can get trapped in the washer's hose. We recommend the following steps to purge the air out of the system and achieve maximum washing pressure.

1. Power up your cleaning machine.
2. Point the spray gun into the water tank and squeeze the lever until the water stream steadies.
3. Start to enjoy your cleaning works

Remark: Keep the chemical valve is closed.

7. General Maintenance & Storage

1. When done using the unit, run clean water through the machine.
2. Protect unit from freezing temperatures. Do not store unit outdoors.
3. The unit can be stored above freezing temperatures for short periods of time (less than 1week) with liquid in the tanks.
4. To protect the unit from damage, chemical and water should be drained from the tanks and the pump and chemical valve flushed with clean water before the unit is placed in long term storage.
5. When using the unit after long term storage, flush with clean water before use.
6. Clean the water inlet filter regularly to avoid blockage affecting water inlet.

8. Warranty

This unit has been carefully tested and inspected and is warranted to be free from defects in material or workmanship. The WIPCOOL will, under this warranty, repair or replace any parts which prove, upon examination, to be defective. This warranty is valid for one year from date of purchase by original purchaser.

This warranty excludes accessories, unusual wear, abuse, damage resulting from an accident, or unreasonable use of this machine. It is recommended that any repairs be contact your local distributor or contact WIPCOOL directly.

WIPCOOL reserves the right to improve products. Contact the factory for the latest configuration and uses.

9. Troubleshooting

Problem	Probable Cause	Remedy
Pump can't start	• Li-ion battery power not enough	• Check battery and charge in time
Inconsistent and/or erratic pressure	• Temperature is too low (< 0°C)	• Increase ambient temperature
	• Nozzle worn	• Replace nozzle
	• Nozzle clogged	• Clean nozzle orifice
	• Water is low	• Add water
	• Air sucked into system	• Fill water
"Motor continues to run even though trigger is released"	• Air in pump (not properly primed)	• Remove nozzle, prime pump
	• Vacuum lock (cap vent clogged)	• Clean cap air vent
	• Water temp too high	• Add cold water to reduce temp
	• Low battery	• Charge or replace battery
Motor stops abruptly	• High pressure system or pump hydraulic circuit not watertight	• Check for leaks at spray gun and pump
	• Air in system	• Re-prime the unit
	• Tank(s) empty	• Fill tank(s)
"No water flow/ Water not priming"	• Power switch off	• Turn switch on
	• Problems with pump auto shut-off	• Contact seller
	• The water inlet is blocked	• Clean the inlet filter
	• There is impurities inside	• Remove the internal impurities
	• The self-priming has problem	• Change the pump

Wipcool Compact Series Cleaning Machine



YouTube www.wipcool.com
Scan us for more details